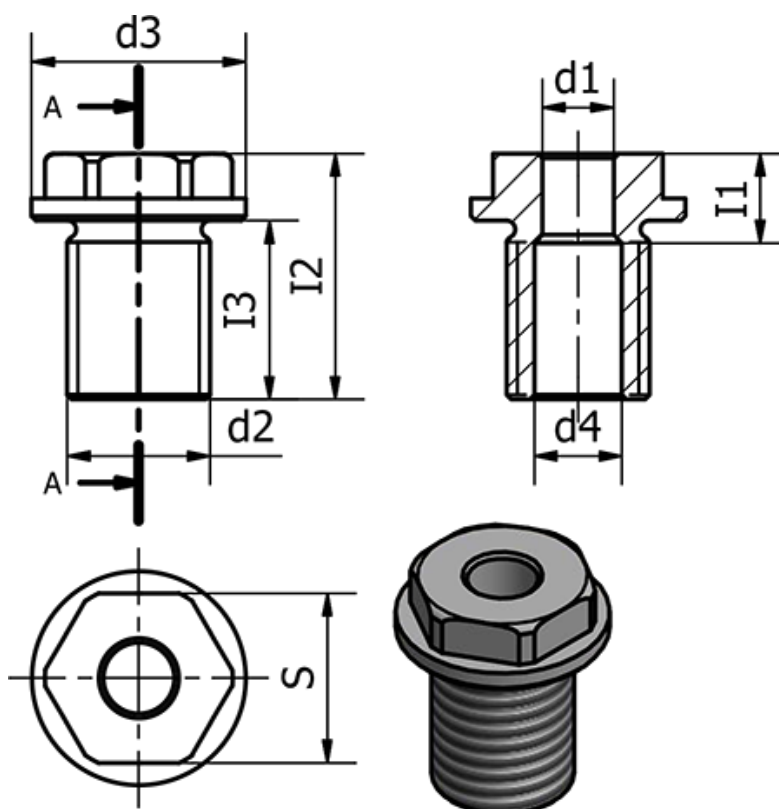


Article number: 2011321235M24A

Description: E+G Holding bushes for lifting pins,  
GN 1132-12-35-M24-A

## Measures



d1 = 12  
d2 = M24  
d3 = 32  
d4 = 14.7  
I1 = 35  
I2 = 48.5  
I3 = 36  
s = 27

Tightening torque in Nm = 200